



OVERVIEW

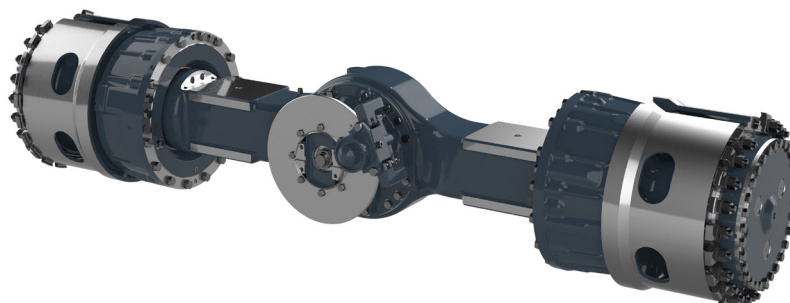
AxleTech's latest wet disc brake model, the W4R, is engineered to fit the PRLC1794 axle model. The W4R wet disc brake is an upgrade from the W4H model as it provides significantly higher brake torque at lower actuation pressure, which is ideal for high torque and heavy load capacities. Representative applications include heavy lift trucks.

FEATURES AND BENEFITS

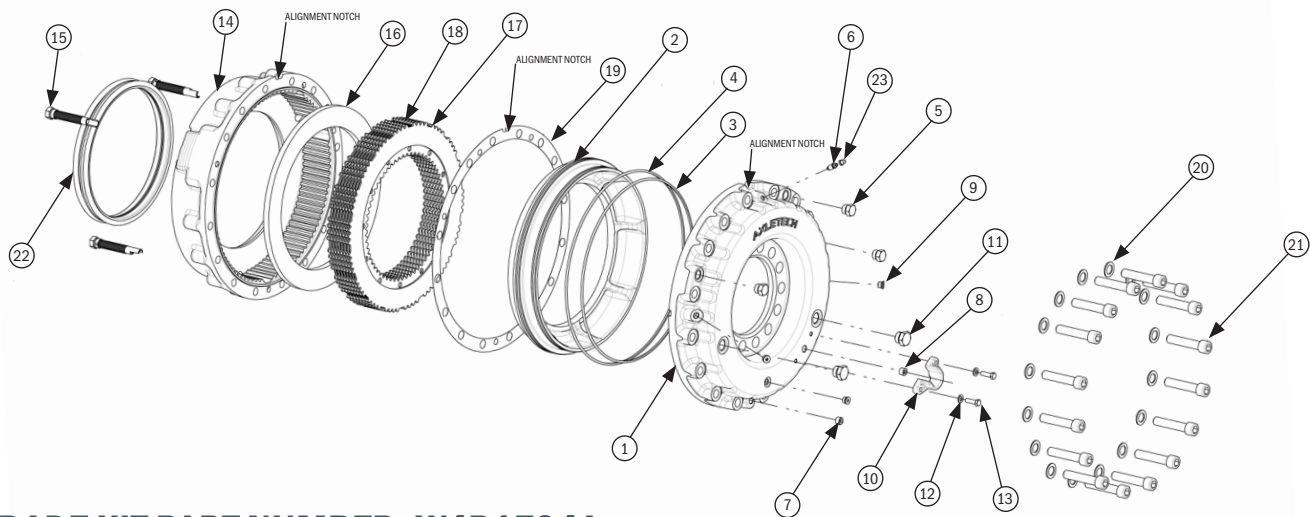
Increased piston area	19% more piston area increases braking torque by 3% when compared to W4H
Reduced actuation pressure	Reduced actuation pressure from 150 bar to 130 bar (2,176 psi to 1,886 psi)
Unhanded design	Unhanded cover allows for the brake to be fitted on both the left and right side of the axle for reduced complexity when servicing
Direct replacement	Same mounting interface and service components as W4H for direct replacement of current brakes on existing axles

TECHNICAL SPECIFICATIONS

Axle model	PRLC1794
Upgrade kit part number	W4R1794A
Brake diameter in (mm)	17 (432)
Number of friction plates	7
Nominal torque lbf-in (kN-m)	597,000 (67)
Maximum actuation pressure psi (bar)	1,886 (130)
Minimum wheel size in (mm)	24 (610)
GAWR range lb (tonnes)	130,000 (59)



W4R WET DISC BRAKE UPGRADE KIT FOR PRLC1794



UPGRADE KIT PART NUMBER: W4R1794A

Item No.	Part No.	Description	Quantity
1	326701078E	COVER	2
2	223001071E	PISTON	2
3	120501234E	D-RING SEAL	2
4	120501192E	D-RING SEAL	2
5	A1250Y441	PLUG ASSEMBLY	6
6	125001025E	BLEEDER	2
7	1850T124	PLUG	2
8	P26	PLUG	2
9	A1250Q1083	PLUG ASSEMBLY	6
10	3155R174	BRACKET	2
11	A21250L1000	PLUG ASSEMBLY	4
12	1229K1597	WASHER	4
13	S2610A1	CAPSCREW	4
14	326701076E	DISC BRAKE HOUSING	2
15	A141250E1019	PLUG ASSEMBLY (SPRING)	6
16	124401231E	SPACER	2
17	3281W23	STATIONARY DISC	16
18	328101013E	FRICTION DISC	14
19	120501237E	GASKET	2
20	1229Z1560	WASHER	32
21	100001383E	SOCKET HEAD SCREW	32
22	A1205P2720	FACE SEAL ASSEMBLY	2
23	125001029E	BLEEDER PROTECTOR	2

HEADQUARTERS

AxleTech
1400 Rochester Road
Troy, Michigan 48083
USA

EMAIL

OE: sales@axletech.com
Aftermarket: aftermarket@axletech.com

AXLETECH.COM