

OVERVIEW

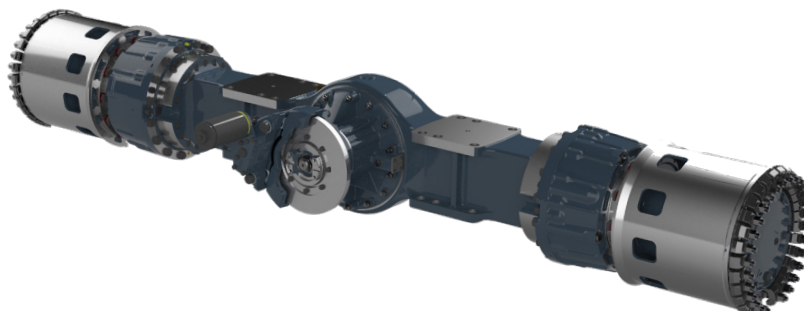
AxleTech's latest wet disc brake model, the W4R, is engineered to fit the PRC7545/7534 axle model. The W4R wet disc brake is an upgrade from the W4H model as it provides significantly higher brake torque at lower actuation pressure, which is ideal for high torque and heavy load capacities. Representative applications include loaded container handlers and heavy lift trucks.

FEATURES AND BENEFITS

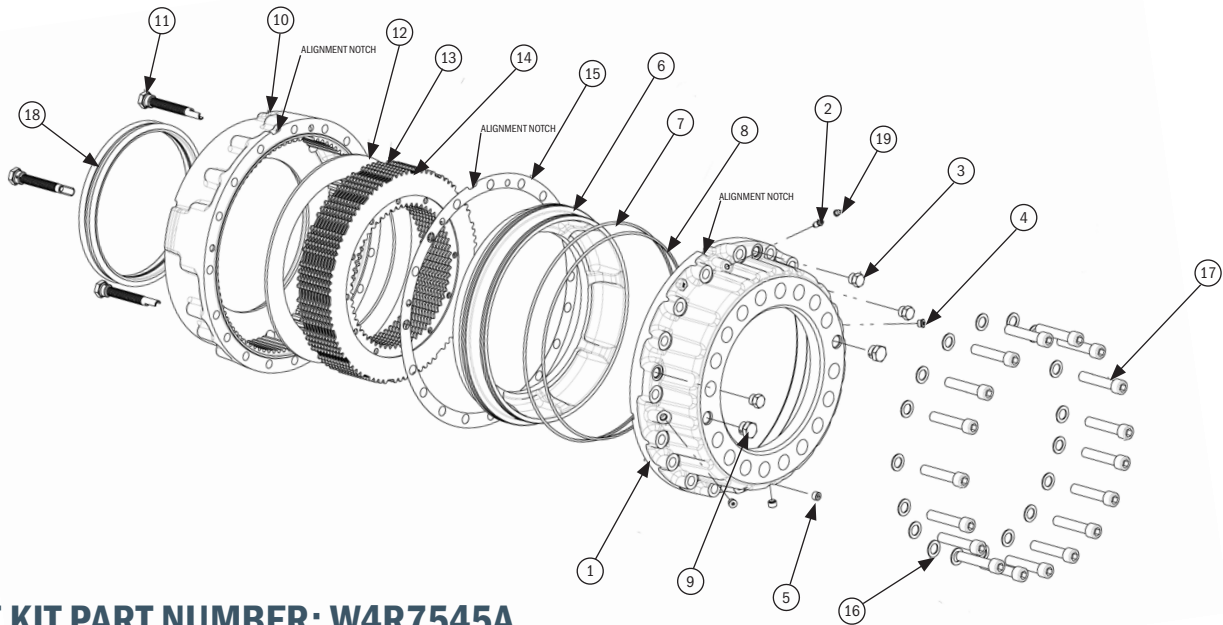
Increased piston area	19% more piston area increases braking torque by 3% when compared to W4H
Reduced actuation pressure	Reduced actuation pressure from 150 bar to 130 bar (2,176 psi to 1,886 psi)
Unhanded design	Unhanded cover allows for the brake to be fitted on both the left and right side of the axle for reduced complexity when servicing
Direct replacement	Same mounting interface and service components as W4H for direct replacement of current brakes on existing axles

TECHNICAL SPECIFICATIONS

Axle model	PRC7545/7534
Upgrade kit part number	W4R7545A
Brake diameter in (mm)	17 (432)
Number of friction plates	10
Maximum nominal torque lbf in (kN·m)	1,000,000 (120)
Maximum actuation pressure psi (bar)	1,886 (130)
Minimum wheel size in (mm)	24 (610)
GAWR range lb (tonnes)	245,000 (111)



W4R WET DISC BRAKE UPGRADE KIT FOR PRC7545/7534



UPGRADE KIT PART NUMBER: W4R7545A

Item No.	Part No.	Description	Quantity
1	326701071E	COVER	2
2	125001025E	BLEEDER	2
3	A1250Y441	PLUG ASSEMBLY	6
4	A1250Q1083	PLUG ASSEMBLY	4
5	1850T124	PLUG	4
6	223001069E	PISTON	2
7	120501192E	D-RING SEAL	2
8	120501234E	D-RING SEAL	2
9	A21250L1000	PLUG ASSEMBLY	4
10	326701069E	DISC BRAKE HOUSING	2
11	A11250L1000	PLUG ASSEMBLY	6
12	1244B1588	SPACER	2
13	3281W23	STATIONARY DISC	22
14	328101013E	FRICION DISC	20
15	120501233E	GASKET	2
16	1229Z1560	WASHER	36
17	100001383E	SOCKET HEAD SCREW	36
18	A1205P2720	FACE SEAL ASSEMBLY	2
19	125001029E	BLEEDER PROTECTOR	2

HEADQUARTERS

AxleTech
1400 Rochester Road
Troy, Michigan 48083
USA

EMAIL

OE: sales@axletech.com
Aftermarket: aftermarket@axletech.com

AXLETECH.COM